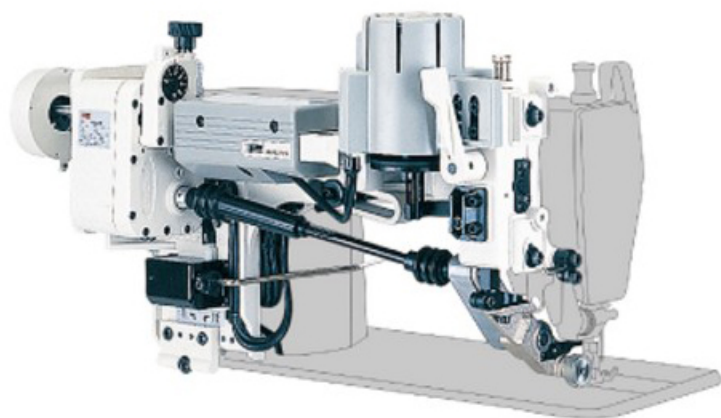
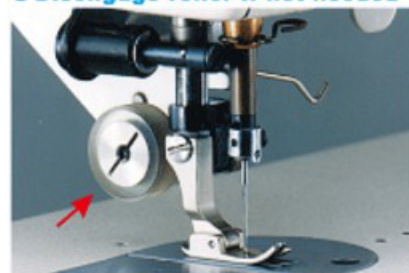


PS 小輪、單針、雙針車用(標準型)
FOR SINGLE OR TWIN NEEDLE(REGULAR) SMALL ROLLER



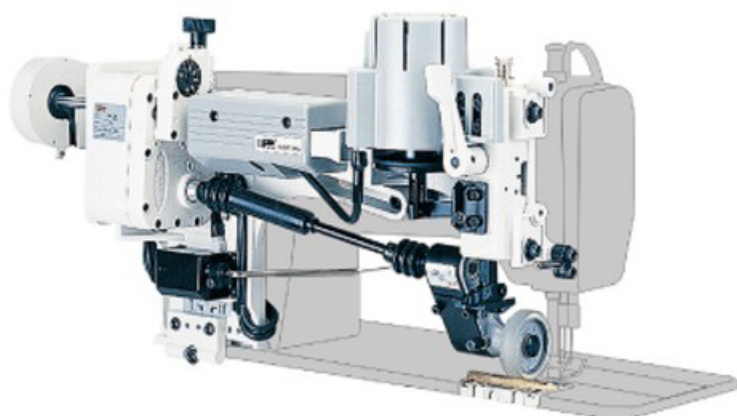
- 拖輪不用時可以提升
- Disengage roller if not needed



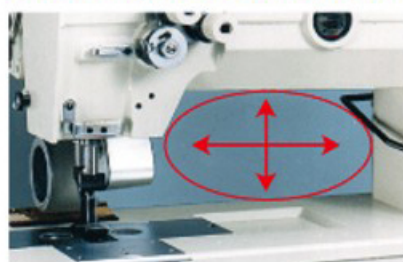
- 獨特設計，拖輪與車針距離超近，適合薄物，短距離即彎弧縫製。
- Extremely close pulling, facilitates curve and short sewing on thin materials.

▶ PS-01 ▶ PS-02 ▶ PS-03 ▶ PS-04 ▶ PS-PC

PL 單針、雙針車用(標準型)
FOR SINGLE OR TWIN NEEDLE(REGULAR)



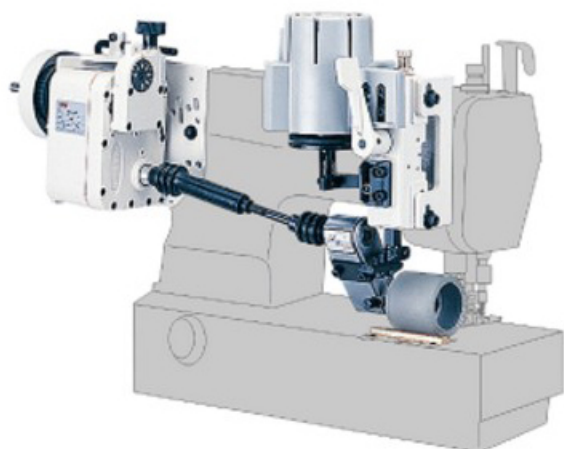
- 寬廣的操作空間
- With Large Space for Operation



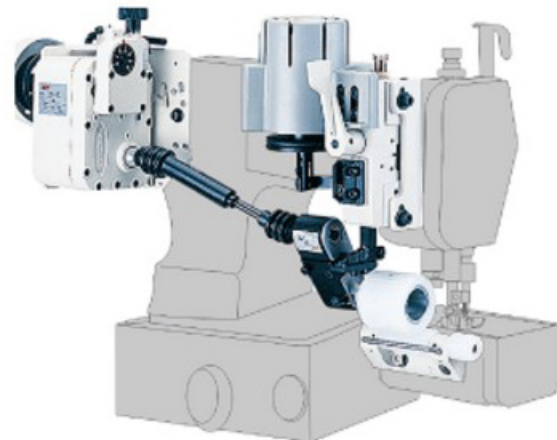
- 具多種選擇性拖輪，能適應不同質料之車縫。
- With various optional rollers for different kinds of materials.

▶ PL-01 ▶ PL-02 ▶ PL-03 ▶ PL-04 ▶ PL-05 ▶ PL-06 ▶ PL-07 ▶ PL-08

PL-S1 飾縫車用
FOR FLAT BED COVERSTITCH



PL-S2 筒型飾縫車用
FOR CYLINDER BED COVERSTITCH



▶ PL-S2