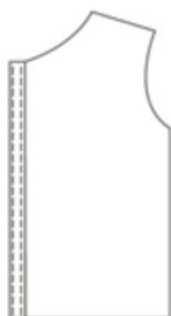


GRA-1000

門襟專用附切刀、收衫組,可提升1/4日產量
 stacker with cutting assembly makes more than 25% increase in daily production of front-opening sewing



用途 Application	門襟車縫專用 Stacking and Cutting for Shirts front-opening
收集長度 Stacking Length	由50公分至120公分均可 From 50cm to 120cm
產能 Capacity	如每英寸14針,一天(八小時)2,400件 2400 pcs per day (8hrs) if 14 stitches per inch.

GRA-1000

STK-300

多用途收衫器
 versatile stacker



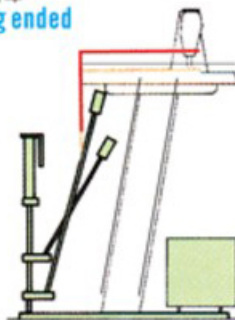
用途 Application	收集襯衫,褲子,套裝等之車縫或壓燙裁片 Stacking for shirts, trousers, suit...etc.
收集長度 Stacking Length	裁片由50公分至120公分均可 Cloth pieces from 50cm to 120cm

STK-300

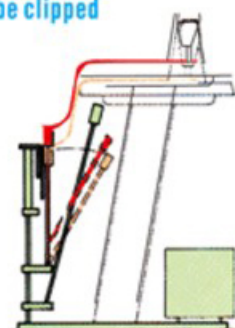
GRA-1000 STK-300

收衫器動作次序
 Stacking & Lifting Procedures:

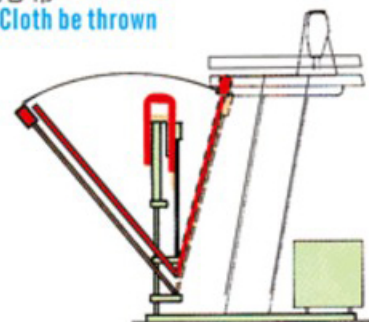
1. 布下降
 Sewing ended



2. 夾布
 Cloth be clipped



3. 甩布
 Cloth be thrown



4. 放布架提升
 Cloth rack be lifted



需空壓設備
 Air compressor required